

(12) **UK Patent Application** (19) **GB** (11) **2 384 777** (13) **A**

(43) Date of Printing by UK Office 06.08.2003

(21) Application No 0311360.2

(22) Date of Filing 18.10.2001

(30) Priority Data

| | | |
|---------------|-----------------|---------|
| (31) 60241714 | (32) 18.10.2000 | (33) US |
| (31) 60259416 | (32) 28.12.2000 | |
| (31) 60293863 | (32) 24.05.2001 | |
| (31) 60299267 | (32) 18.06.2001 | |
| (31) 60299810 | (32) 20.06.2001 | |
| (31) 60307649 | (32) 24.07.2001 | |
| (31) 60307650 | (32) 24.07.2001 | |
| (31) 60317409 | (32) 04.09.2001 | |
| (31) 60318156 | (32) 07.09.2001 | |
| (31) 60310540 | (32) 06.08.2001 | |

(86) International Application Data
PCT/US2001/051413 En 18.10.2001

(87) International Publication Data
WO2002/037944 En 16.05.2002

(71), (72) and (74) continued overleaf

(51) INT CL⁷

B01J 19/00 // G01N 33/50

(52) UK CL (Edition V)

C2L LDT L400T
G1B BAX

(56) Documents Cited by ISA

Not yet advised

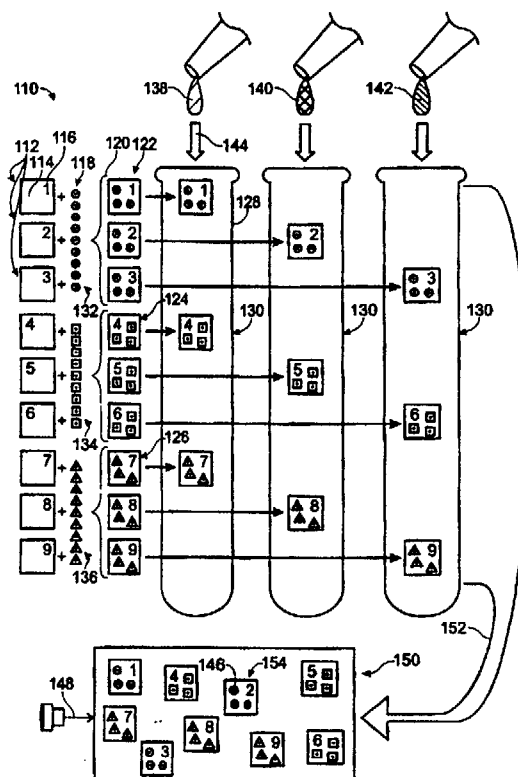
(58) Field of Search by ISA

Other: NOT YET ADVISED

(54) Abstract Title

Multiplexed cell analysis system

(57) Systems including apparatus, methods, compositions, and kits for multiplexed analysis of biological systems using nonpositional and/or positional arrays of coded carriers.



GB 2 384 777 A

- (71) Applicant(s)
Virtual Arrays Inc
(Incorporated in USA - California)
1190 Bordeaux Drive, Sunnyvale,
CA 94089, United States of America
- (72) Inventor(s)
Ilva Ravkin
Simon Goldbard
Michael A Zarowitz
Oren E. Beske
- (74) Agent and/or Address for Service
Harrison Goddard Foote
Belgrave Hall, Belgrave Street, LEEDS,
LS2 8DD, United Kingdom